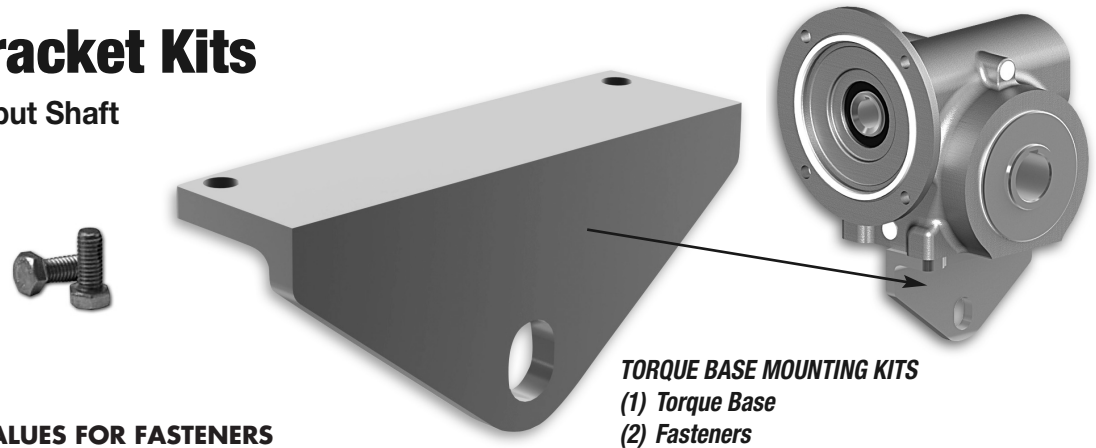




Stainless Conveyor Drive

Torque Arm Bracket Kits

For use with Hollow Output Shaft
Models (MDSS, MPSS)

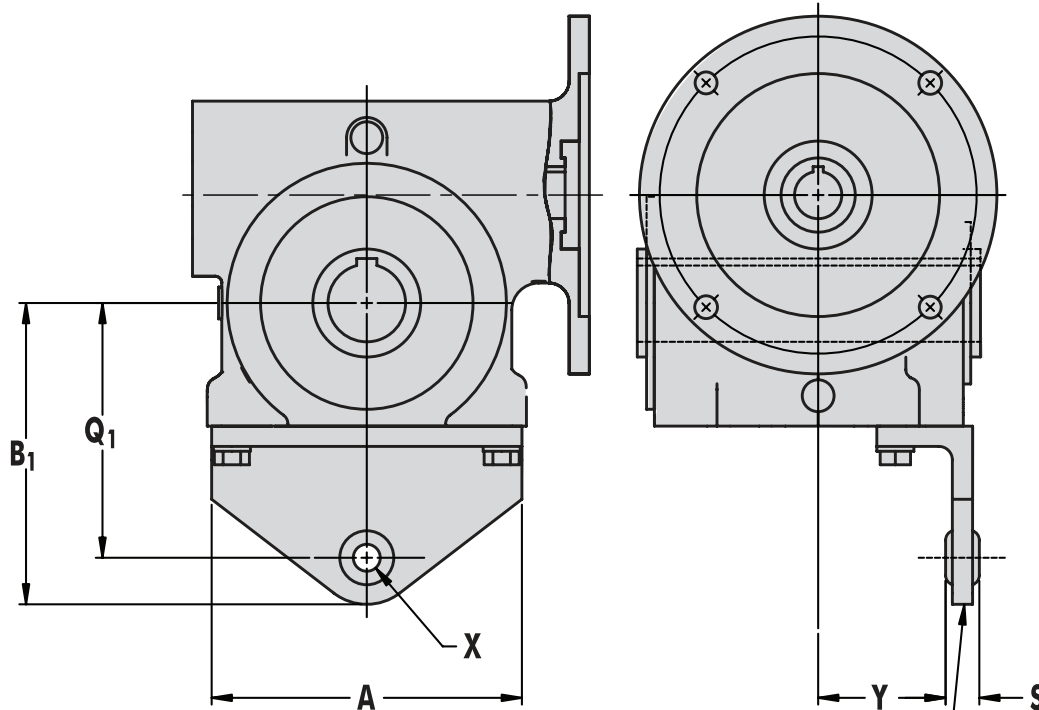


RECOMMENDED TORQUE VALUES FOR FASTENERS

| Reducer Size | Fastener Size | Tightening Torque (lbf-in) |
|-----------------|---------------|----------------------------|
| S17 | 5/16-18 | 200 |
| S20 - S24 - S26 | 3/8-16 | 360 |
| S30 | 7/16-14 | 580 |

MPSS SHOWN WITH MOUNTED (R) BRACKET KIT

Hollow Output Shaft



TORQUE ARM BRACKET DIMENSIONS

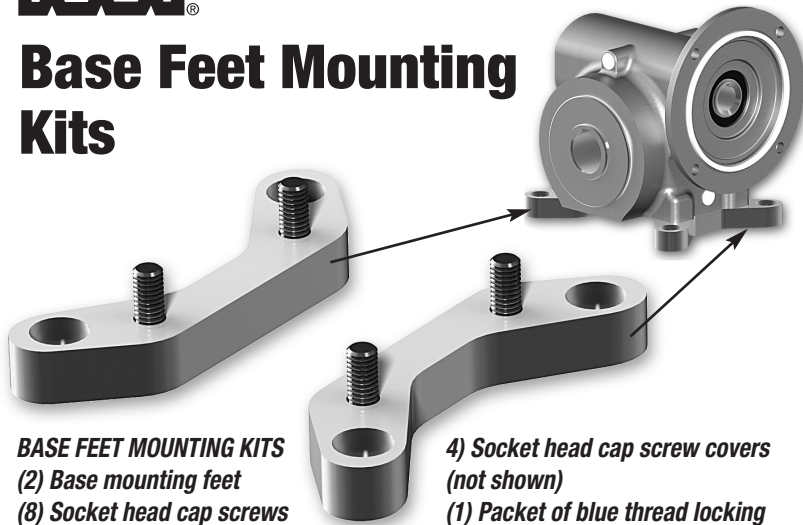
| Size | A | B ₁ | Q ₁ | S | X | Y | Kit # |
|------|------|----------------|----------------|------|------|------|-----------|
| S17 | 5.13 | 5.36 | 4.50 | 0.63 | 0.50 | 2.25 | TK9952720 |
| S20 | 5.75 | 5.58 | 4.78 | | | 2.36 | TK9952721 |
| S24 | 6.00 | 5.80 | 4.94 | | | 2.38 | TK9952722 |
| S26 | 7.25 | 6.24 | 5.38 | | | 2.88 | TK9952723 |
| S30 | 7.63 | 6.80 | 5.78 | | | 3.50 | TK9952724 |

**MULTIPLE ASSEMBLY
POSITIONS AVAILABLE**



Stainless Conveyor Drive

Base Feet Mounting Kits



BASE FEET MOUNTING KITS
 (2) Base mounting feet
 (8) Socket head cap screws

4) Socket head cap screw covers (not shown)
 (1) Packet of blue thread locking compound (not shown)

RECOMMENDED TORQUE VALUES FOR REDUCER/BASE FEET FASTENERS

| Reducer Size | Fastener Size | Tightening Torque (lbf-in) |
|-----------------|---------------|----------------------------|
| S17 | 5/16-18 | 200 |
| S20 - S24 - S26 | 3/8-16 | 360 |
| S30 | 7/16-14 | 580 |

RECOMMENDED TORQUE VALUES FOR BASE FEET/SUPPORT STRUCTURE FASTENERS

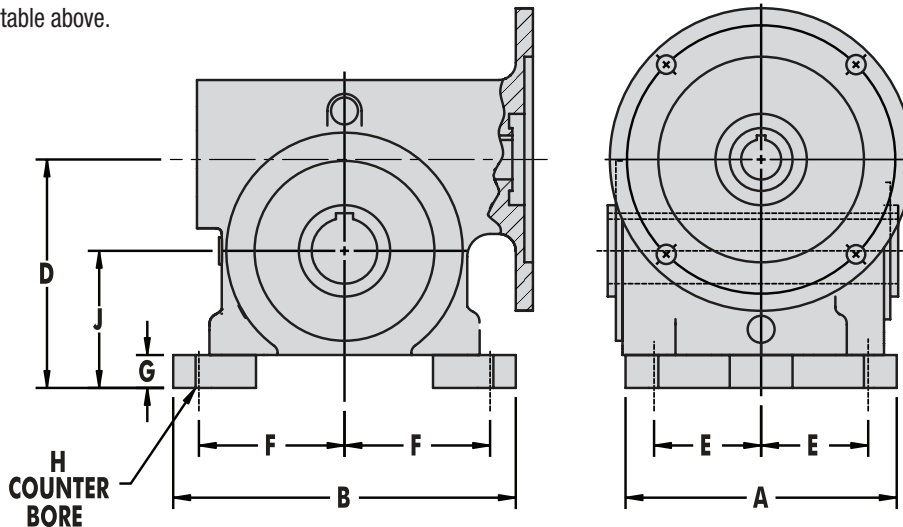
| Reducer Size | Fastener Size | Tightening Torque (lbf-in) |
|--------------|---------------|----------------------------|
| S17 - S20 | 3/8-16 | 360 |
| S24 | 7/16-14 | 580 |
| S26 - S30 | 1/2-13 | 890 |

INSTALLATION PROCEDURES

1. Verify all components listed above are available and are the correct size for the reducer to be mounted.
2. Be sure all surfaces, tools and hands are clean and free of ferrous particulate. Ferrous particles can cause rust to occur on the surface of the stainless steel.
3. Install the two base feet to the bottom surface of the reducer using 4 of the socket head cap screws. Apply a small amount of thread locking compound to each fastener prior to installation. Tighten the stainless steel fasteners per the torque table above.

4. Install the reducer in its operating location using the other 4 socket head cap screws. Apply a small amount of thread locking compound to each fastener prior to installation. Tighten the stainless steel fasteners per the torque table above.

5. Install the socket head cap screw covers to prevent water from collecting in the cap screw pockets. A food grade RTV sealant may also be used to fill and seal these cavities if desired.



| Size | A | B | D | E | F | G | H | J | Kit # |
|------|------|-------|------|------|------|------|-----------|------|-----------|
| S17 | 5.63 | 6.88 | 4.50 | 2.25 | 2.88 | 0.69 | 3/8 SHCS | 2.75 | BK9998140 |
| S20 | 5.94 | 7.50 | 5.00 | 2.34 | 3.19 | 0.72 | | 3.00 | BK9998141 |
| S24 | 6.13 | 8.29 | 5.63 | 2.44 | 3.53 | 0.75 | 7/16 SHCS | 3.25 | BK9998142 |
| S26 | 6.65 | 9.40 | 6.31 | 2.63 | 4.00 | | | 3.69 | BK9998143 |
| S30 | 7.63 | 11.00 | 7.38 | 3.06 | 4.75 | 0.88 | 1/2 SHCS | 4.38 | BK9998144 |

SHCS = Socket Head Cap Screw

PWS-198994-June 1/15
 Printed in U.S.A.